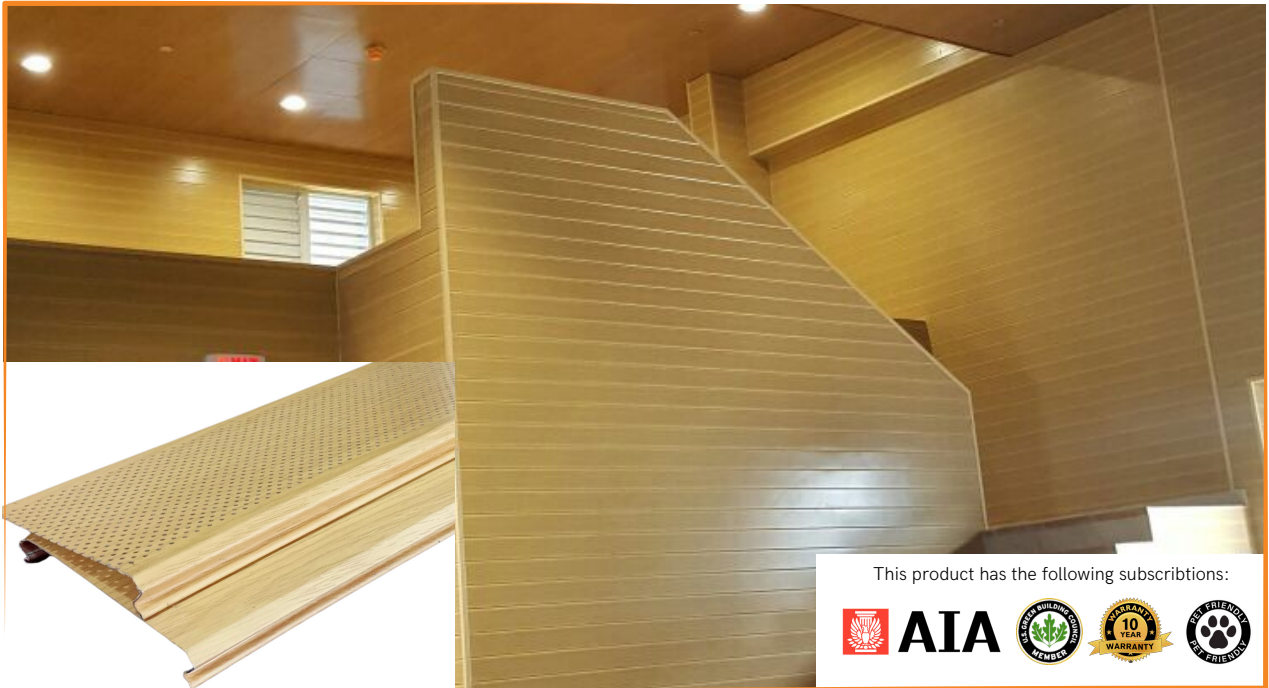


BAC LINEAR C-SHAPE



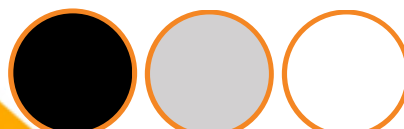
This product has the following subscriptions:



Characteristic	Technical Data
Dimensions	4" x 144" 6" x 144" 8" x 144"
Edge Profile	Shaped
Perforation Design	Pattern BAC #43
Shape	Linear Panel
Noise Reduction Coefficient (NRC)	Perforated 0.75 Non-Perforated 0.10
Fire Resistance / Flame Spread	Class A
Light Reflective	0.83
Ceiling Attenuation Class (CAC)	Up to 40
Microbial & Humidity Resistance (RH)	Very High
Durability	Impact resistance
Maintainability	Washable / Scrubbable
Pattern	Perforated & Non-Perforated
Surface Finish	Polyester Powder Paint
ASTM Classification	Type III



Standard color:



black

grey

white

Specialty colors:



mahogany

light

oak

walnut

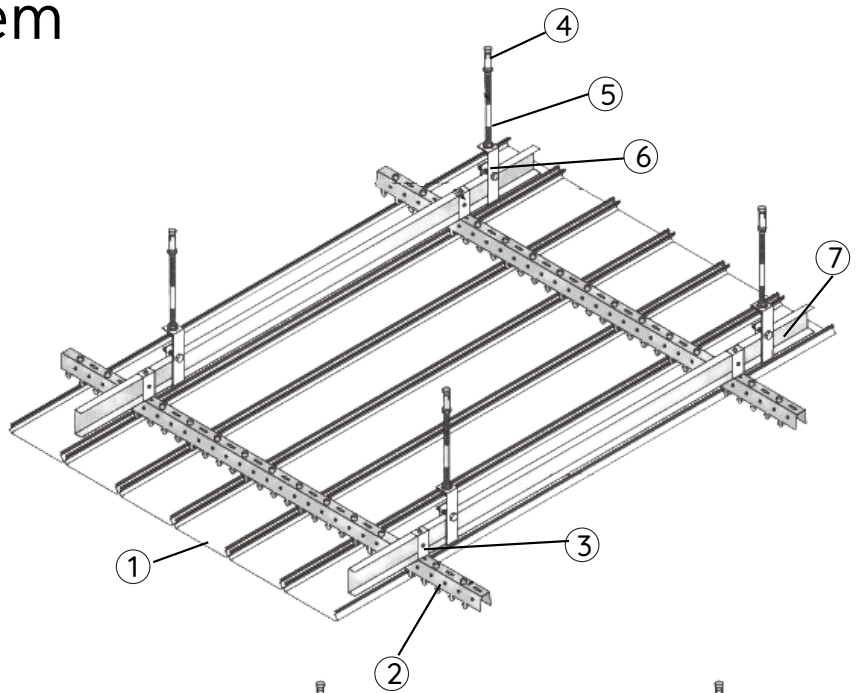
Specialty colors are subject to a 5,000 square foot minimum purchase. They have no guarantee on color.

and more...

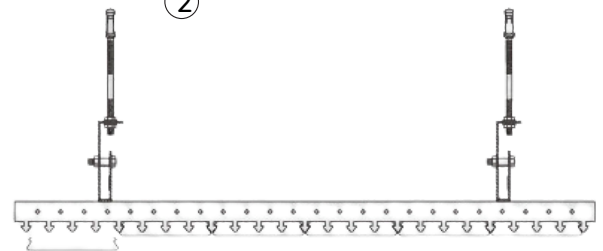
Suspension System

BENEFITS:

- Hot dipped galvanized coating inhibits red rusting better than electrogalvanized.
- System is engineered and designed to fit and provide high quality finish.
- Main Tee easy profile for installation with Cross Tee.
- Increased strength and stability for improved performance.
- Easy to cut.
- Rotary stitched for additional torsional strength and extra stability during installation.
- Faster and easier insertion/installation of cross tees.
- Tighter tee to tee connection.
- Better load carrying capability.



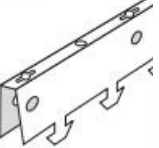


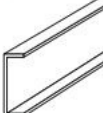




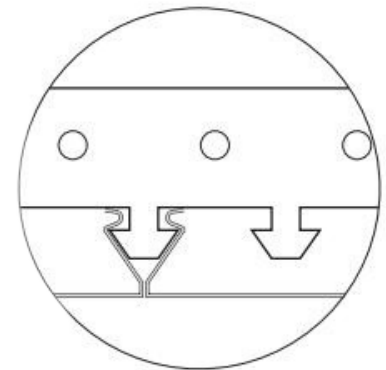
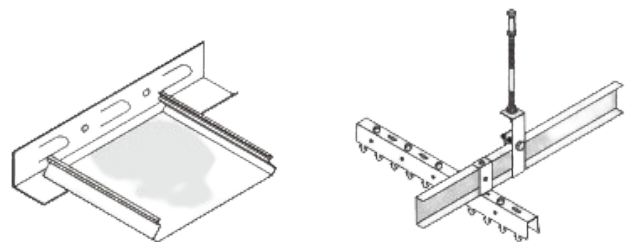
Code	Type	Dimension
BAC 48	38# GA.20 Rolled Channel	1 1/2" x 144"
	CS Panel Carrier	1 1/2" x 120"
Wall Molding	L shape	7/8" x 7/8" x 142"



The Drawing of Installation of Wall Edge Corner

The Drawing of Installation of C-shaped Strip Carrier

- | | |
|---|---|
| <p>1 C-shape stripe panel</p>  | <p>5 Suspension bolt (opt)</p>  |
| <p>2 Panel carrier</p>  | <p>6 38# Main carrier suspension bracket</p>  |
| <p>3 Hanger</p>  | <p>7 38# Main carrier (opt)</p>  |
| <p>4 Expansion screw (opt)</p>  | <p>8 L-shape angle (opt)</p>  |



COLOR CHART

