

# BENNERGLASS PRO



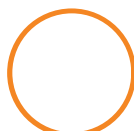
This product has the following subscriptions:



Characteristic	Technical Data	
Sizes	2' x 2' x 3/4" 2' x 2' x 1" 2' x 2' x 1 1/2"	2' x 4' x 3/4" 2' x 4' x 1" 2' x 4' x 1 1/2"
Raw Material	Fiberglass with white transparent membrane	
Surface Finish	Factory applied vinyl latex paint	
Density	Varied by model	
Noise Reduction Coefficient (NRC)	0.90 – 0.95	
Ceiling Attenuation Class (CAC)	30	
Fire Resistance	Class A in accordance with ASTM E84	
Humidity Resistance (RH)	95% to 99%	
Microbial Resistance	Highly resistant ASTM D6329	
Light Reflective	0.88	
Environment	Contains recycled material	
Meets highest air quality standards (ASTM D5116)		



Standard color:



white

Specialty colors:



black

painted

Specialty colors are subject to a 5,000 square foot minimum purchase. They have no guarantee on color.

# Suspension System 15/16"

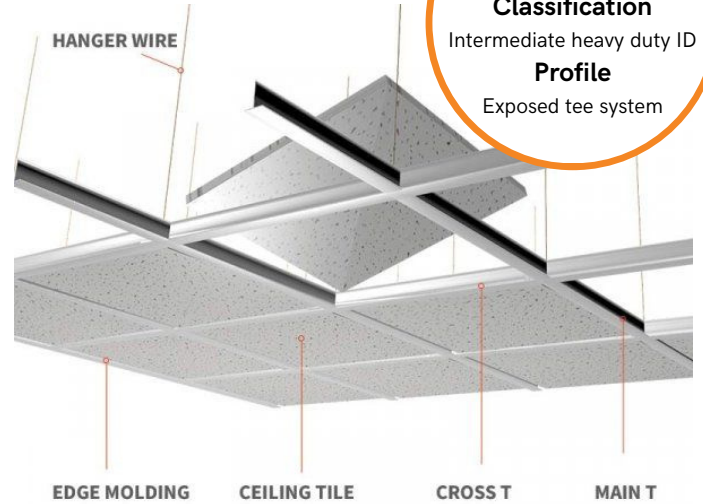
## BENEFITS:

- Hot dipped galvanized coating inhibits red rusting better than electrogalvanized.
- System is engineered and designed to fit and provide high quality finish.
- Main Tee easy profile for installation with Cross Tee.
- Increased strength and stability for improved performance.
- Easy to cut.
- Rotary stitched for additional torsional strength and extra stability during installation.
- Faster and easier insertion/installation of cross tees.
- Tighter tee to tee connection.
- Better load carrying capability.

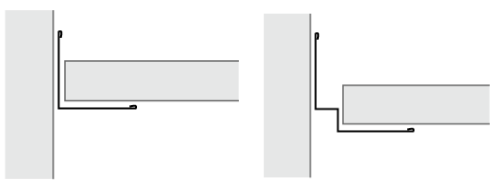
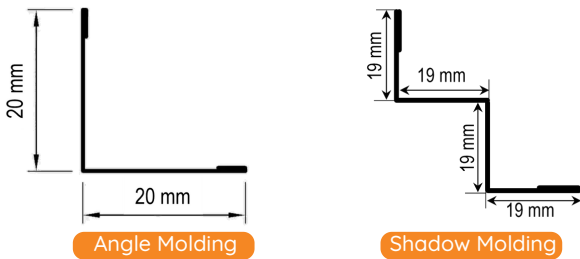
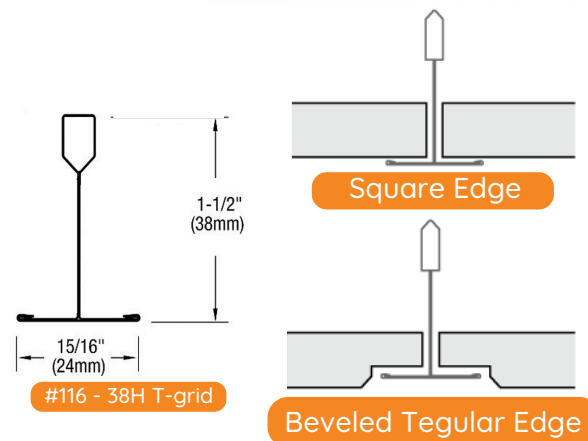
**Surface Finish**  
Baked polyester paint

**Classification**  
Intermediate heavy duty ID

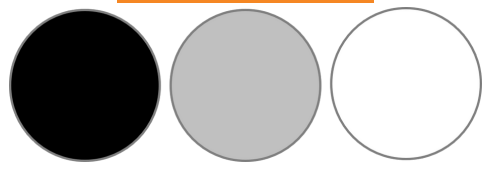
**Profile**  
Exposed tee system



Code	Type	Dimension
#116-38H T-grid (15/16 SYSTEM)	Main T	1 1/2" x 15/16" x 144"
	Cross T	1 1/2" x 15/16" x 24" 1 1/2" x 15/16" x 48"
#116-38H T-grid (9/16 SYSTEM)	Main T	1 1/2" x 9/16" x 144"
	Cross T	1 1/2" x 9/16" x 24" 1 1/2" x 9/16" x 48"
Wall Molding	L shape	25/32" x 25/32" x 142"



## COLOR CHART



PHYSICAL DATA	
Type	38 H – Heavy Duty Suspension System
Intended use	As a support system in conjunction with various types of Benner Ceiling Tiles and other brands.
End detail	Main tee (12' / HD) Cross Tee (2' / 4' / HD) Wall Angle (HD)
Seismic performance	Compression / tension Main beam – 365 / 7 Cross Tee – 299 / 5
Materials	Components in general galvanized steel cap Fire rated commercial conditions Hot – dipped galvanized steel body
Requirements	Meets with all international code including seismic. Complies with ASTM C635
Application	Applicable to various types of buildings and/or mayor brand ceiling tiles

# Suspension System 9/16"

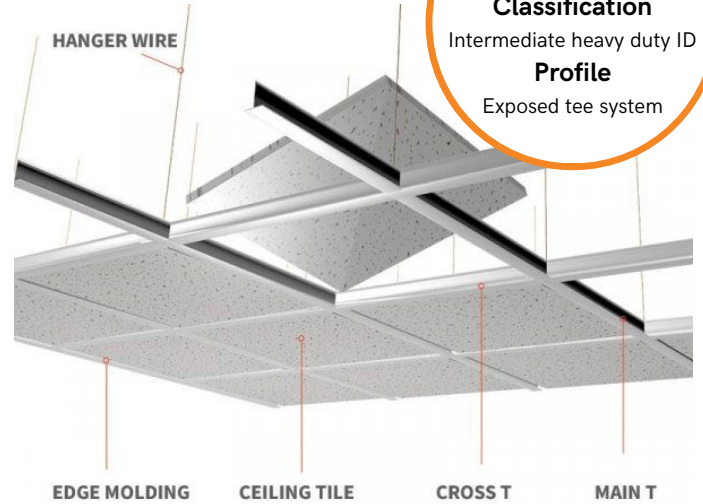
## BENEFITS:

- Hot dipped galvanized coating inhibits red rusting better than electrogalvanized.
- System is engineered and designed to fit and provide high quality finish.
- Main Tee easy profile for installation with Cross Tee.
- Increased strength and stability for improved performance.
- Easy to cut.
- Rotary stitched for additional torsional strength and extra stability during installation.
- Faster and easier insertion/installation of cross tees.
- Tighter tee to tee connection.
- Better load carrying capability.

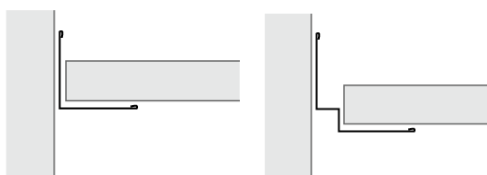
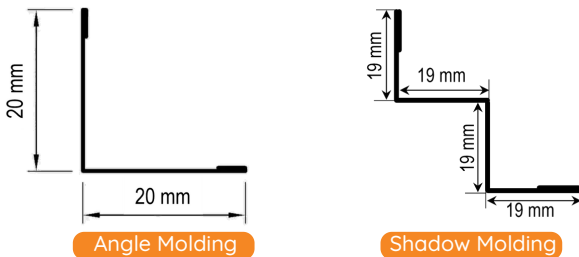
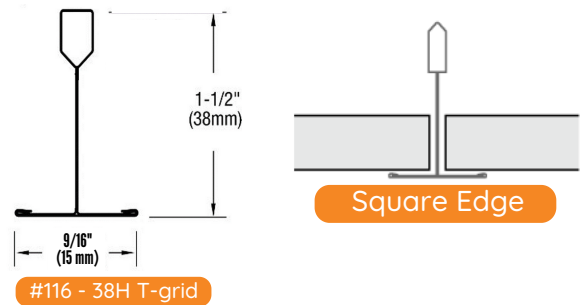
**Surface Finish**  
Baked polyester paint

**Classification**  
Intermediate heavy duty ID

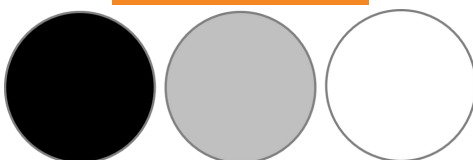
**Profile**  
Exposed tee system



Code	Type	Dimension
#116-38H T-grid (15/16 SYSTEM)	Main T	1 1/2" x 15/16" x 144"
	Cross T	1 1/2" x 15/16" x 24" 1 1/2" x 15/16" x 48"
#116-38H T-grid (9/16 SYSTEM)	Main T	1 1/2" x 9/16" x 144"
	Cross T	1 1/2" x 9/16" x 24" 1 1/2" x 9/16" x 48"
Wall Molding	L shape	25/32" x 25/32" x 142"



## COLOR CHART



PHYSICAL DATA	
Type	38 H – Heavy Duty Suspension System
Intended use	As a support system in conjunction with various types of Benner Ceiling Tiles and other brands.
End detail	Main tee (12' / HD) Cross Tee (2' / 4' / HD) Wall Angle (HD)
Seismic performance	Compression / tension Main beam – 365 / 7 Cross Tee – 299 / 5
Materials	Components in general galvanized steel cap Fire rated commercial conditions Hot – dipped galvanized steel body
Requirements	Meets with all international code including seismic. Complies with ASTM C635
Application	Applicable to various types of buildings and/or mayor brand ceiling tiles