

# BENNERHEALTH



This product has the following subscriptions:



Characteristic	Technical Data	
Thickness	5/8"	3/4"
Sizes	2' x 2' 2' x 4'	2' x 2' 2' x 4'
Raw Material	Wet formed mineral fiber PVC laminated film	Wet formed mineral fiber PVC laminated film
Surface Finish	PVC laminated film	PVC laminated film
Density	260-300 kg/m3	260-300 kg/m3
Noise Reduction Coefficient (NRC)	0.30	0.40
Ceiling Attenuation Class (CAC)	38	40
Fire Resistance	Class A in accordance with ASTM E84	Class A in accordance with ASTM E84
Humidity Resistance (RH)	95% to 99%	95% to 99%
Microbial Resistance	Highly resistant ASTM D6329	Highly resistant ASTM D6329
Light Reflective	0.87	0.87
Environment	Contains recycled material	Contains recycled material
Meets highest air quality standards (ASTM D5116)		



Standard color:



white

Specialty colors:



black



Painted

Specialty colors are subject to a 5,000 square foot minimum purchase. They have no guarantee on color.

# Suspension System 15/16"

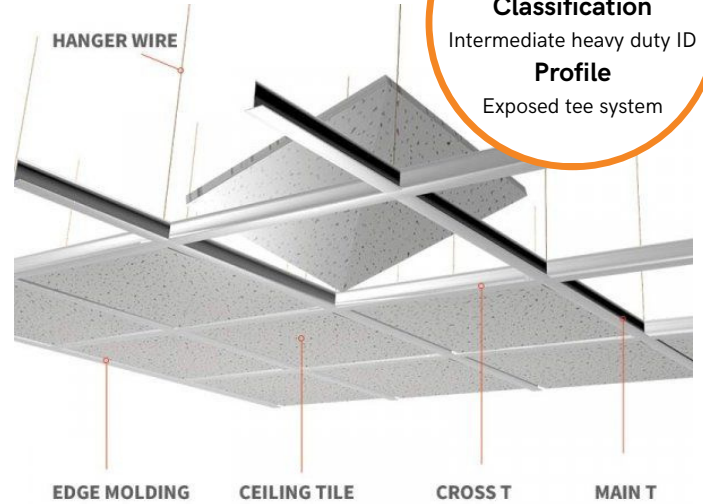
## BENEFITS:

- Hot dipped galvanized coating inhibits red rusting better than electrogalvanized.
- System is engineered and designed to fit and provide high quality finish.
- Main Tee easy profile for installation with Cross Tee.
- Increased strength and stability for improved performance.
- Easy to cut.
- Rotary stitched for additional torsional strength and extra stability during installation.
- Faster and easier insertion/installation of cross tees.
- Tighter tee to tee connection.
- Better load carrying capability.

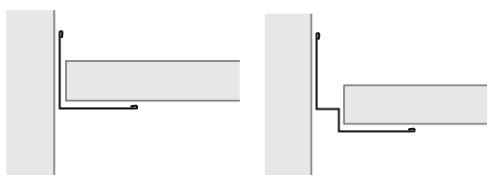
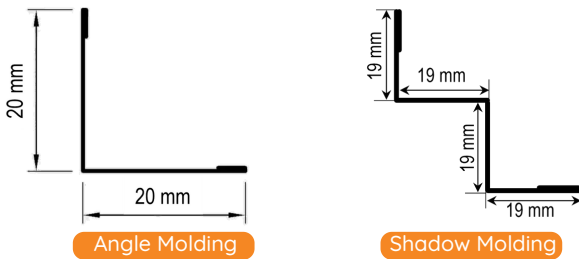
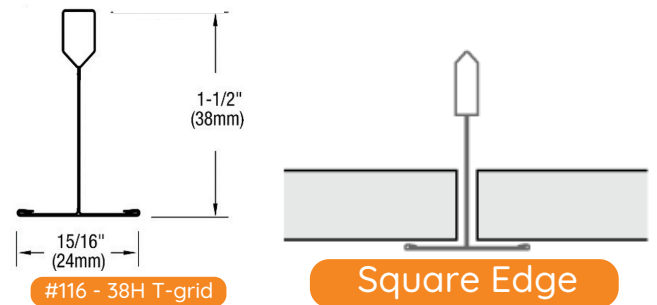
**Surface Finish**  
Baked polyester paint

**Classification**  
Intermediate heavy duty ID

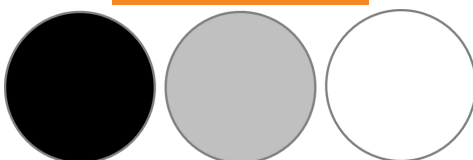
**Profile**  
Exposed tee system



Code	Type	Dimension
#116-38H T-grid (15/16 SYSTEM)	Main T	1 1/2" x 15/16" x 144"
	Cross T	1 1/2" x 15/16" x 24" 1 1/2" x 15/16" x 48"
#116-38H T-grid (9/16 SYSTEM)	Main T	1 1/2" x 9/16" x 144"
	Cross T	1 1/2" x 9/16" x 24" 1 1/2" x 9/16" x 48"
Wall Molding	L shape	25/32" x 25/32" x 142"



## COLOR CHART



PHYSICAL DATA	
Type	38 H – Heavy Duty Suspension System
Intended use	As a support system in conjunction with various types of Benner Ceiling Tiles and other brands.
End detail	Main tee (12' / HD) Cross Tee (2' / 4' / HD) Wall Angle (HD)
Seismic performance	Compression / tension Main beam – 365 / 7 Cross Tee – 299 / 5
Materials	Components in general galvanized steel cap Fire rated commercial conditions Hot – dipped galvanized steel body
Requirements	Meets with all international code including seismic. Complies with ASTM C635
Application	Applicable to various types of buildings and/or mayor brand ceiling tiles

# Suspension System 9/16"

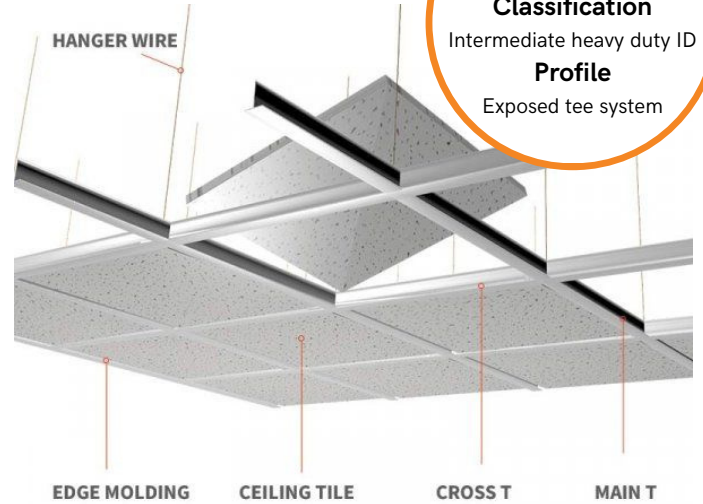
## BENEFITS:

- Hot dipped galvanized coating inhibits red rusting better than electrogalvanized.
- System is engineered and designed to fit and provide high quality finish.
- Main Tee easy profile for installation with Cross Tee.
- Increased strength and stability for improved performance.
- Easy to cut.
- Rotary stitched for additional torsional strength and extra stability during installation.
- Faster and easier insertion/installation of cross tees.
- Tighter tee to tee connection.
- Better load carrying capability.

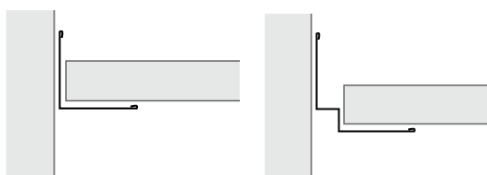
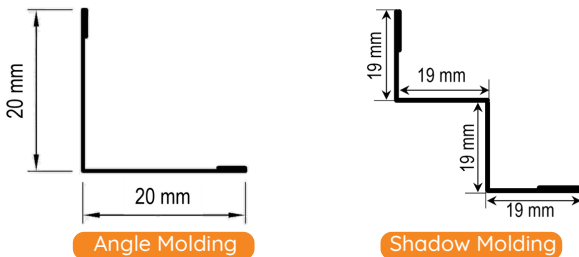
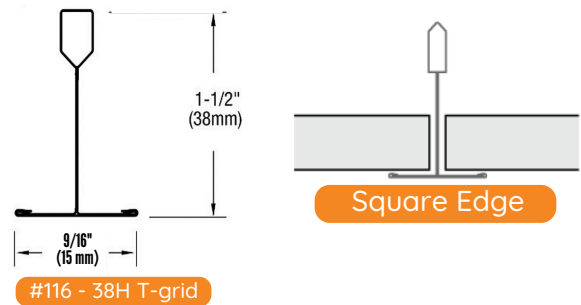
**Surface Finish**  
Baked polyester paint

**Classification**  
Intermediate heavy duty ID

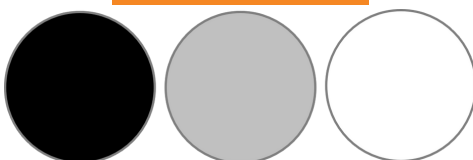
**Profile**  
Exposed tee system



Code	Type	Dimension
#116-38H T-grid (15/16 SYSTEM)	Main T	1 1/2" x 15/16" x 144"
	Cross T	1 1/2" x 15/16" x 24" 1 1/2" x 15/16" x 48"
#116-38H T-grid (9/16 SYSTEM)	Main T	1 1/2" x 9/16" x 144"
	Cross T	1 1/2" x 9/16" x 24" 1 1/2" x 9/16" x 48"
Wall Molding	L shape	25/32" x 25/32" x 142"



## COLOR CHART



PHYSICAL DATA	
Type	38 H – Heavy Duty Suspension System
Intended use	As a support system in conjunction with various types of Benner Ceiling Tiles and other brands.
End detail	Main tee (12' / HD) Cross Tee (2' / 4' / HD) Wall Angle (HD)
Seismic performance	Compression / tension Main beam – 365 / 7 Cross Tee – 299 / 5
Materials	Components in general galvanized steel cap Fire rated commercial conditions Hot – dipped galvanized steel body
Requirements	Meets with all international code including seismic. Complies with ASTM C635
Application	Applicable to various types of buildings and/or mayor brand ceiling tiles