



ALUMINUM CELINGS

Lay-In

Clip-In

Linear Panels



BENNER BAC LAY-IN



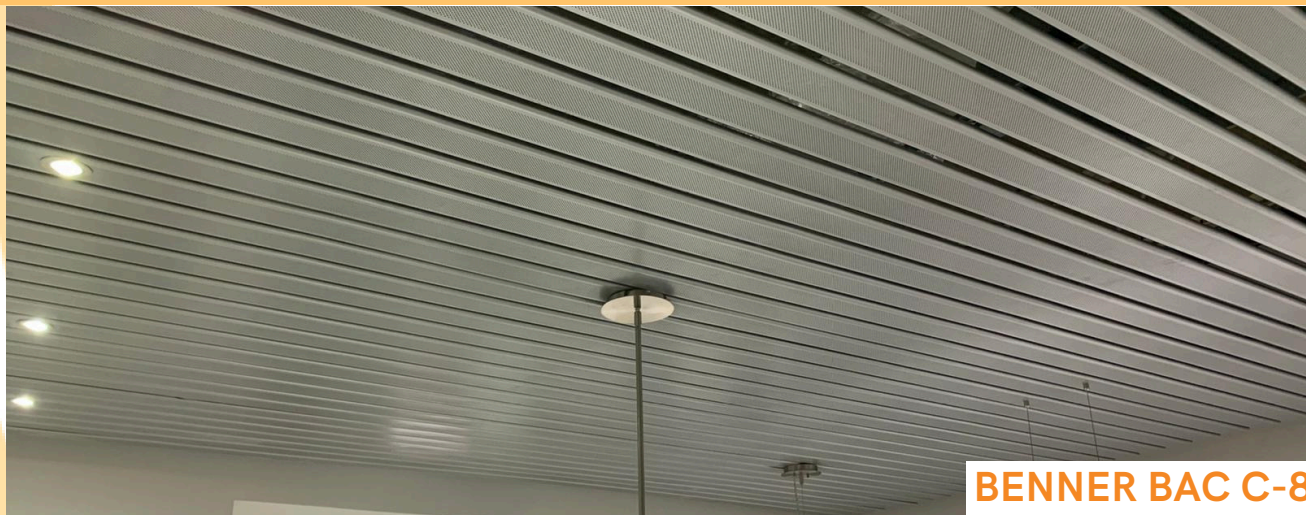
BENNER BAC CLIP-IN



BENNER BAC C-SHAPE



BENNER BAC G-SHAPE



BENNER BAC C-85

Our exceptional selection includes a wide range of innovative and environmentally friendly acoustic ceiling solutions. All our models offer a unique combination of functional and aesthetic features designed to accommodate a wide range of architectural needs.

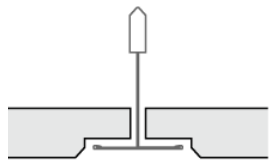
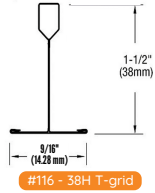
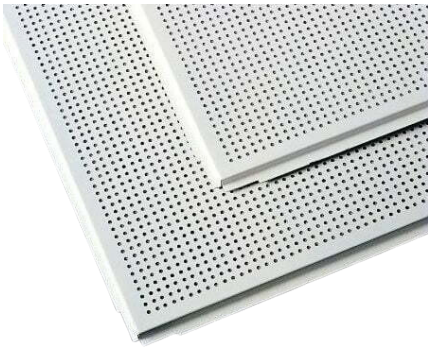
We accomplish the highest performances:



These products has the following features:



BENNER BAC LAY-IN

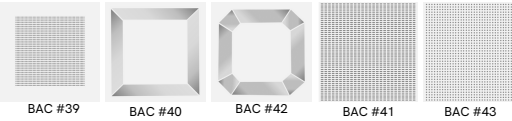


Beveled Tegrular Edge

ITEM	Qty / Box	Width	Length	ASTM Classification	NRC	CAC	Fire Performance	Light Reflect	Humidity Resistance	Microbial Resistance	Recycled Content	Air Quality	Soundtex Tissue	Perforated	Suspension System
6110	20	24"	24"	Type III	0.75	40	Class A	0.83	Very High	Very High	Yes	Very High	Yes	Yes	T-Grid 15/16"
6111	20	24"	24"	Type III	0.10	40	Class A	0.83	Very High	Very High	Yes	Very High	Yes	No	T-Grid 15/16"
6112	20	24"	24"	Type III	0.75	40	Class A	0.83	Very High	Very High	Yes	Very High	Yes	Yes	T-Grid 15/16"
6113	20	24"	24"	Type III	0.10	40	Class A	0.83	Very High	Very High	Yes	Very High	Yes	No	T-Grid 15/16"
6114	20	24"	24"	Type III	0.75	40	Class A	0.83	Very High	Very High	Yes	Very High	Yes	Yes	T-Grid 15/16"
6115	20	24"	24"	Type III	0.10	40	Class A	0.83	Very High	Very High	Yes	Very High	Yes	No	T-Grid 15/16"
6116	20	24"	24"	Type III	0.75	40	Class A	0.83	Very High	Very High	Yes	Very High	Yes	Yes	T-Grid 15/16"
6117	20	24"	24"	Type III	0.10	40	Class A	0.83	Very High	Very High	Yes	Very High	Yes	No	T-Grid 15/16"
6118	20	24"	24"	Type III	0.75	40	Class A	0.83	Very High	Very High	Yes	Very High	Yes	Yes	T-Grid 15/16"
6119	20	24"	24"	Type III	0.10	40	Class A	0.83	Very High	Very High	Yes	Very High	Yes	No	T-Grid 15/16"

MOQ: 25 BOXES (500 PIECES)

TILE PATTERNS

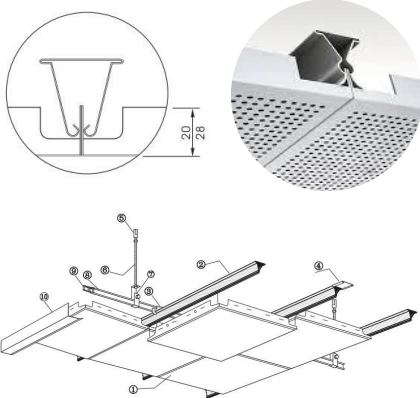


Code	Type	Dimension
#116-38H T-grid (15/16 SYSTEM)	Main T	1 1/2" x 15/16" x 144"
	Cross T	1 1/2" x 15/16" x 24" 1 1/2" x 15/16" x 48"
#116-38H T-grid (9/16 SYSTEM)	Main T	1 1/2" x 9/16" x 144"
	Cross T	1 1/2" x 9/16" x 24" 1 1/2" x 9/16" x 48"
Wall Molding	L shape	25/32" x 25/32" x 142"

Color



BENNER BAC CLIP-IN



ITEM	Qty / Box	Width	Length	ASTM Classification	NRC	CAC	Fire Performance	Light Reflect	Humidity Resistance	Microbial Resistance	Recycled Content	Air Quality	Soundtex Tissue	Perforated	Suspension System
6210	20	24"	24"	Type III	0.75	40	Class A	0.83	Very High	Very High	Yes	Very High	Yes	Yes	Clip-In
6211	20	24"	24"	Type III	0.10	40	Class A	0.83	Very High	Very High	Yes	Very High	Yes	No	Clip-In
6212	20	24"	24"	Type III	0.75	40	Class A	0.83	Very High	Very High	Yes	Very High	Yes	Yes	Clip-In
6213	20	24"	24"	Type III	0.10	40	Class A	0.83	Very High	Very High	Yes	Very High	Yes	No	Clip-In
6214	20	24"	24"	Type III	0.75	40	Class A	0.83	Very High	Very High	Yes	Very High	Yes	Yes	Clip-In
6215	20	24"	24"	Type III	0.10	40	Class A	0.83	Very High	Very High	Yes	Very High	Yes	No	Clip-In
6216	20	24"	24"	Type III	0.75	40	Class A	0.83	Very High	Very High	Yes	Very High	Yes	Yes	Clip-In
6217	20	24"	24"	Type III	0.10	40	Class A	0.83	Very High	Very High	Yes	Very High	Yes	No	Clip-In
6218	20	24"	24"	Type III	0.75	40	Class A	0.83	Very High	Very High	Yes	Very High	Yes	Yes	Clip-In
6219	20	24"	24"	Type III	0.10	40	Class A	0.83	Very High	Very High	Yes	Very High	Yes	No	Clip-In
6220	20	24"	24"	Type III	0.10	40	Class A	0.83	Very High	Very High	Yes	Very High	Yes	Yes	Clip-In
6221	20	24"	72"	Type III	0.10	40	Class A	0.83	Very High	Very High	Yes	Very High	Yes	Yes	Clip-In

MOQ: 25 BOXES (500 PIECES)

TILE PATTERNS



Code	Type	Dimension
BAC 45	38# GA.20 Rolled Channel	1 1/2" x 144"
	Tee Carrier	1 1/2" x 120"
Wall Molding	L shape	7/8" x 7/8" x 142"

Color

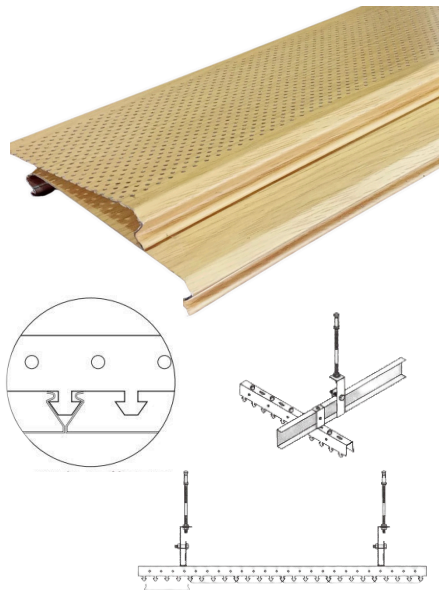


References:

- Noise Reduction Coefficient (NRC) - ASTM C423 / Classified with UL Label
- Ceiling Attenuation Class (CAC) - ASTM E1414 / Classified with UL Label
- Fire resistance - ASTM E84 / Flame Spread - ASTM E1264
- Light Reflectance - ASTM E1477
- Humidity Resistance (HR) - ASTM C367
- Microbial Resistance (MR) - ASTM D6329
- Air Quality Standards - ASTM D5116



BENNER BAC C-SHAPE

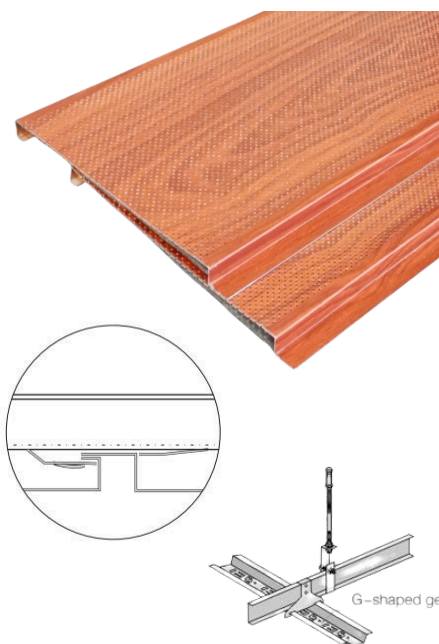


ITEM	Qty / Box	Weidth	Length	ASTM Classification	NRC	CAC	Fire Performance	Light Reflect	Humidity Resistance	Microbial Resistance	Recycled Content	Air Quality	Soundtex Tissue	Perforated	Suspension System	Color
6310	20	4"	12'	Type III	0.75	40	Class A	0.83	Very High	Very High	Yes	Very High	Yes	Yes	C-shape	White
6311	20	4"	12'	Type III	0.10	40	Class A	0.83	Very High	Very High	Yes	Very High	Yes	No	C-shape	White
6316	20	4"	12'	Type III	0.75	40	Class A	0.83	Very High	Very High	Yes	Very High	Yes	Yes	C-shape	White
6317	20	4"	12'	Type III	0.10	40	Class A	0.83	Very High	Very High	Yes	Very High	Yes	No	C-shape	White
6318	20	4"	12'	Type III	0.75	40	Class A	0.83	Very High	Very High	Yes	Very High	Yes	Yes	C-shape	White
6319	20	4"	12'	Type III	0.10	40	Class A	0.83	Very High	Very High	Yes	Very High	Yes	No	C-shape	White

MOQ: 25 BOXES (500 PIECES)

Code	Type	Dimension
BAC 48	38# GA.20 Rolled Channel	1 1/2" x 144"
	CS Panel Carrier	1 1/2" x 120"
Wall Molding	L shape	7/8" x 7/8" x 142"

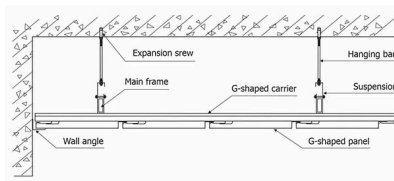
BENNER BAC G-SHAPE



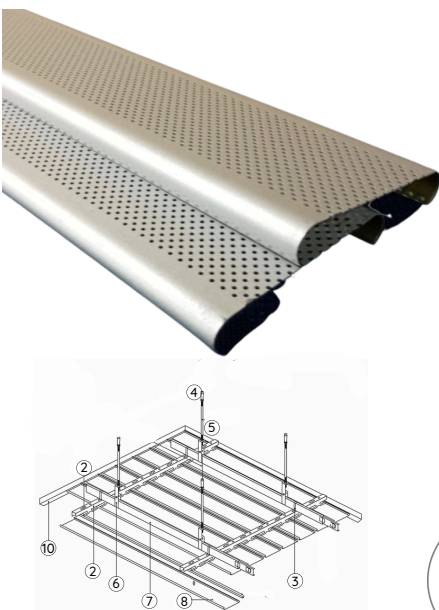
ITEM	Qty / Box	Weidth	Length	ASTM Classification	NRC	CAC	Fire Performance	Light Reflect	Humidity Resistance	Microbial Resistance	Recycled Content	Air Quality	Soundtex Tissue	Perforated	Suspension System	Color
6410	20	4"	12'	Type III	0.75	40	Class A	0.83	Very High	Very High	Yes	Very High	Yes	Yes	G-shape	White
6416	20	4"	12'	Type III	0.75	40	Class A	0.83	Very High	Very High	Yes	Very High	Yes	Yes	G-shape	White
6417	20	4"	12'	Type III	0.10	40	Class A	0.83	Very High	Very High	Yes	Very High	Yes	No	G-shape	White
6418	20	4"	12'	Type III	0.75	40	Class A	0.83	Very High	Very High	Yes	Very High	Yes	Yes	G-shape	White
6419	20	4"	12'	Type III	0.10	40	Class A	0.83	Very High	Very High	Yes	Very High	Yes	No	G-shape	White

MOQ: 25 BOXES (500 PIECES)

Code	Type	Dimension
BAC 50	38# GA.20 Rolled Channel	1 1/2" x 144"
	GS Panel Carrier	1 1/2" x 120"
Wall Molding	L shape	7/8" x 7/8" x 142"



BENNER BAC C-85



ITEM	Qty / Box	Weidth	Length	ASTM Classification	NRC	CAC	Fire Performance	Light Reflect	Humidity Resistance	Microbial Resistance	Recycled Content	Air Quality	Soundtex Tissue	Perforated	Suspension System	Color
6510	20	4"	12'	Type III	0.75	40	Class A	0.83	Very High	Very High	Yes	Very High	Yes	Yes	C85	White
6511	20	4"	12'	Type III	0.10	40	Class A	0.83	Very High	Very High	Yes	Very High	Yes	No	C85	White
6512	20	4"	12'	Type III	0.75	40	Class A	0.83	Very High	Very High	Yes	Very High	Yes	Yes	C85	White
6513	20	4"	12'	Type III	0.10	40	Class A	0.83	Very High	Very High	Yes	Very High	Yes	No	C85	White
6514	20	4"	12'	Type III	0.75	40	Class A	0.83	Very High	Very High	Yes	Very High	Yes	Yes	C85	White
6515	20	4"	12'	Type III	0.10	40	Class A	0.83	Very High	Very High	Yes	Very High	Yes	No	C85	White

MOQ: 25 BOXES (500 PIECES)

Code	Type	Dimension
C-85	38# GA.20 Rolled Channel	1 1/2" x 144"
	G85 Panel Carrier	1 1/2" x 120"
Wall Molding	L shape	7/8" x 7/8" x 142"

