



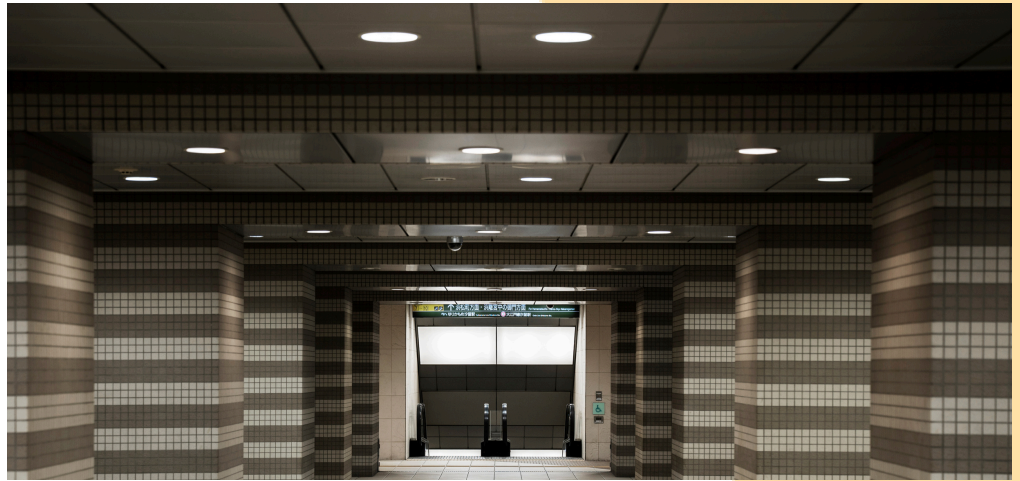
LIGHTINGS

Led Panels
Frame Panels
Backlit Panels

LED PANELS



ROUND



Type	Rated Power	Size	Shape	Light Guide	Warranty	Color Rendering (RA)	CCT	Light Color	Lumen efficacy	Input Voltage	Output	Power Factor (PF)	Flicker Free	Ingress Protection (IP)	Ambient Temperature (Ta)	Case Temperature (Tc)	Safety	Installation	Use	Dimmable	pcs/inner box	pcs/carton	MOQ
LED Panel Round	3W	3 in (76.2 mm)	Recessed Round	Downlight Fixture	2 years	80	6000K	Blue-white	160 lumen	85-277V 50/60Hz	9V 300mA	0.5	Yes	20	45°C	75°C	Voltage Resistance Test	Recessed	Interior	No	1	100	1000
LED Panel Round	6W	4 in (101.6 mm)	Recessed Round	Downlight Fixture	2 years	80	6000K	Blue-white	380 lumen	85-277V 50/60Hz	18V 300mA	0.5	Yes	20	45°C	75°C	Voltage Resistance Test	Recessed	Interior	No	1	100	1000
LED Panel Round	12W	6 in (152.4 mm)	Recessed Round	Downlight Fixture	2 years	80	6000K	Blue-white	1020 lumen	85-277V 50/60Hz	36V 300mA	0.5	Yes	20	45°C	75°C	Voltage Resistance Test	Recessed	Interior	No	1	30	3000

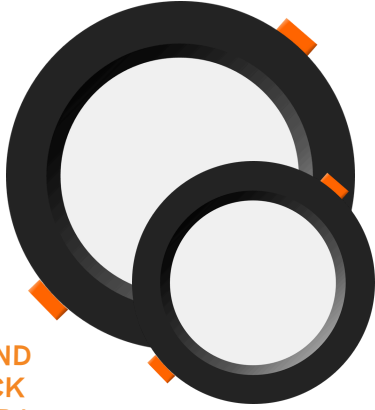


SQUARE



Type	Rated Power	Size	Shape	Light Guide	Warranty	Color Rendering (RA)	CCT	Light Color	Lumen efficacy	Input Voltage	Output	Power Factor (PF)	Flicker Free	Ingress Protection (IP)	Ambient Temperature (Ta)	Case Temperature (Tc)	Safety	Installation	Use	Dimmable	pcs/inner box	pcs/carton	MOQ
LED Panel Square	3W	3 in (76.2 mm)	Recessed Square	Downlight Fixture	2 years	80	6000K	Blue-white	160 lumen	85-277V 50/60Hz	9V 300mA	0.5	Yes	20	45°C	75°C	Voltage Resistance Test	Recessed	Interior	No	1	100	1000
LED Panel Square	6W	4 in (101.6 mm)	Recessed Square	Downlight Fixture	2 years	80	6000K	Blue-white	380 lumen	85-277V 50/60Hz	18V 300mA	0.5	Yes	20	45°C	75°C	Voltage Resistance Test	Recessed	Interior	No	1	100	1000
LED Panel Square	12W	6 in (152.4 mm)	Recessed Square	Downlight Fixture	2 years	80	6000K	Blue-white	1020 lumen	85-277V 50/60Hz	36V 300mA	0.5	Yes	20	45°C	75°C	Voltage Resistance Test	Recessed	Interior	No	1	30	3000

LED PANELS



**ROUND
BLACK
WARRANTY: 2 YEAR**



Code	Rated Power	Size	Opening	Shape	Light Guide	Color Rendering (RA)	CCT	Light Color	Lumen	Input Voltage	Output	Power Factor (PF)	Flicker Free	Ingress Protection (IP)	Ambient Temperature (Ta)	Case Temperature (Tc)	Relative Humidity	Installation	Use	Dimmable	pcs/inner box	pcs/carton	MOQ
11006	3W	3-5/8" (98 x 30 mm)	70mm	Recessed Round	Downlight Fixture	80	6500K	Blue-white	300 lumen	AC85-265V/50-60Hz	3-11 VDC	0.5	Yes	20	45°C	75°C	10% - 90% RH	Recessed	Interior	No	1	100	1000
11007	5W	4" (108 x 30 mm)	80mm	Recessed Round	Downlight Fixture	80	6500K	Blue-white	500 lumen	AC85-265V/50-60Hz	3-11 VDC	0.5	Yes	20	45°C	75°C	10% - 90% RH	Recessed	Interior	No	1	100	1000

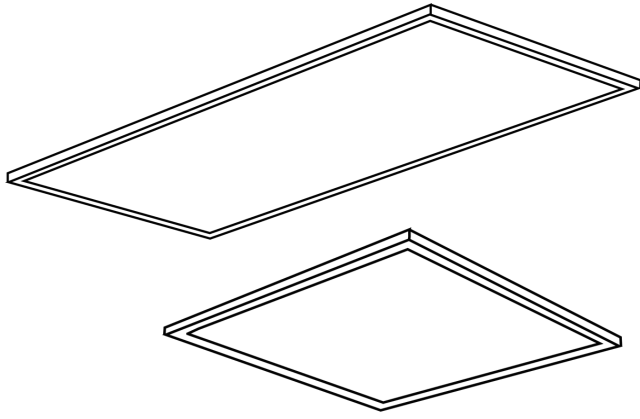


**ROUND
WARRANTY: 2 YEAR**



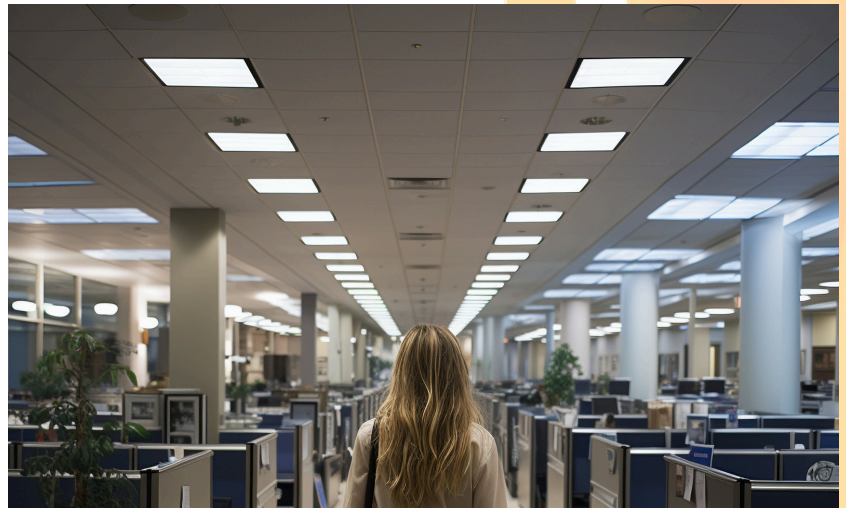
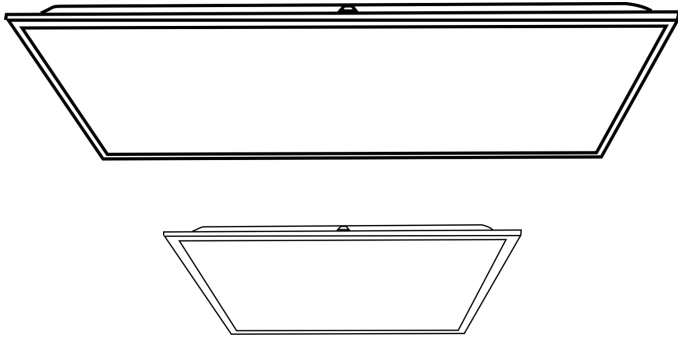
Code	Rated Power	Size	Opening	Shape	Light Guide	Color Rendering (RA)	CCT	Light Color	Lumen	Input Voltage	Output	Power Factor (PF)	Flicker Free	Ingress Protection (IP)	Ambient Temperature (Ta)	Case Temperature (Tc)	Relative Humidity	Installation	Use	Dimmable	pcs/inner box	pcs/carton	MOQ
11008 Black	5W	3-1/2" (85 x 48 mm)	70mm	Recessed Round	Downlight Fixture	80	6500K	Blue-white	500 lumen	AC85-265V/50-60Hz	12-18 VDC	0.5	Yes	20	45°C	75°C	10% - 90% RH	Recessed	Interior	No	1	100	1000
11009 White	5W	3-1/2" (85 x 48 mm)	70mm	Recessed Round	Downlight Fixture	80	6500K	Blue-white	500 lumen	AC85-265V/50-60Hz	12-18 VDC	0.5	Yes	20	45°C	75°C	10% - 90% RH	Recessed	Interior	No	1	100	1000

FRAME PANELS



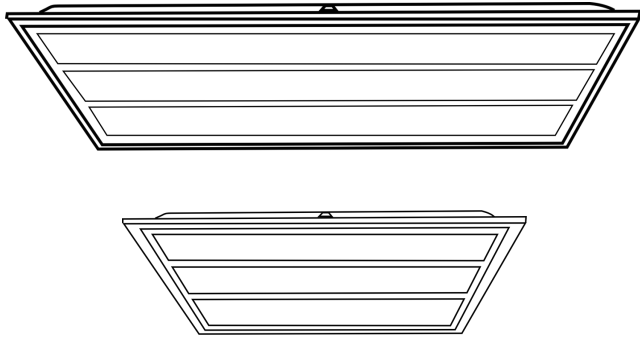
Type	Rated Power	Size	Shape	Light Guide	Warranty	Color Rendering (RA)	CCT	Light Color	Lumen efficacy	Input Voltage	Output	Power Factor (PF)	Flicker Free	Ingress Protection (IP)	Ambient Temperature (Ta)	Case Temperature (Tc)	Safety	Installation	Use	Dimmable	pcs/inner box	pcs/carton	MOQ
Frame panel	40W	24" x 24" (603 x 603 mm)	Recessed Square	downward diffuser	3 years	80	6000K	Blue-white	110 lumen / W	85-277V 50/60Hz	27-42V 1000mA	0.95	Yes	20	45°C	75°C	Class II	Recessed mounting in grid ceilings	Interior	No	2	10	1000
Frame panel	60W	24" x 48" (603 x 1213 mm)	Recessed Square	downward diffuser	3 years	80	6000K	Blue-white	110 lumen / W	85-277V 50/60Hz	27-42V 1400mA	0.95	Yes	20	45°C	75°C	Class II	Recessed mounting in grid ceilings	Interior	No	2	10	1000

BACKLIT PANELS



Type	Rated Power	Size	Shape	Light Guide	Warranty	Color Rendering (RA)	CCT	Light Color	Lumen efficacy	Input Voltage	Output	Power Factor (PF)	Flicker Free	Ingress Protection (IP)	Ambient Temperature (Ta)	Case Temperature (Tc)	Safety	Installation	Use	Dimmable	pcs/inner box	pcs/carton	MOQ
Backlit Panel	40W	24" x 24" (603 x 603 mm)	Recessed Square	downward diffuser	3 years	80	6000K	Blue-white	110 lumen / W	85-277V 50/60Hz	27-42V 1000mA	0.95	Yes	20	45°C	75°C	Class II	Recessed mounting in grid ceilings	Interior	No	0	8	800
Backlit panel	80W	24" x 48" (603 x 1213 mm)	Recessed Square	downward diffuser	3 years	80	6000K	Blue-white	110 lumen / W	85-277V 50/60Hz	27-42V 1000mA	0.95	Yes	20	45°C	75°C	Class II	Recessed mounting in grid ceilings	Interior	No	1	4	800

LED GRILLE LIGHT



Type	Rated Power	Size	Shape	Light Guide	Warranty	Color Rendering (RA)	CCT	Light Color	Lumen efficacy	Input Voltage	Output	Power Factor (PF)	Flicker Free	Ingress Protection (IP)	Ambient Temperature (Ta)	Case Temperature (Tc)	Safety	Installation	Use	Dimmable	pcs/inner box	pcs/carton	MOQ
Backlit Panel	40W	24" x 24" (603 x 603 mm)	Recessed Square	downward diffuser	3 years	80	6000K	Blue-white	110 lumen / W	85-277V 50/60Hz	27-42V 1000mA	0.95	Yes	20	45°C	75°C	Class II	Recessed mounting in grid ceilings	Interior	No	0	8	800
Backlit panel	80W	24" x 48" (603 x 1213 mm)	Recessed Square	downward diffuser	3 years	80	6000K	Blue-white	110 lumen / W	85-277V 50/60Hz	27-42V 1000mA	0.95	Yes	20	45°C	75°C	Class II	Recessed mounting in grid ceilings	Interior	No	1	4	800

Lighting fixtures are powerful tools in interior design that go beyond mere illumination. By selecting and utilizing the right fixtures, you can create functional, aesthetically pleasing spaces that promote the well-being of occupants.

