



SUSPENSION SYSTEM

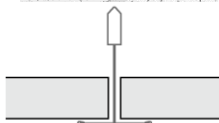
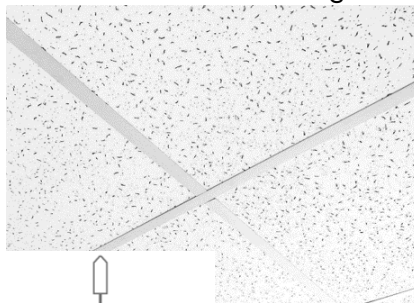
T-Grid
Clip-In
Linear Panels

1 T-GRID



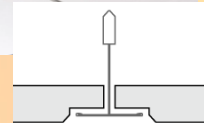
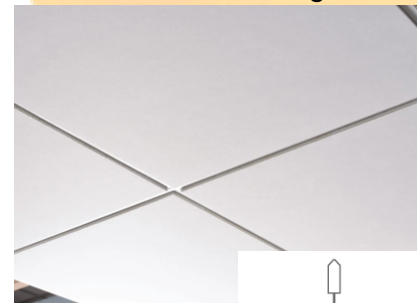
Ceiling Options:

Continuous Ceiling



Square Edge

Beveled Ceiling



Beveled Tegular Edge

Components

Main Tee's



Cross Tee's

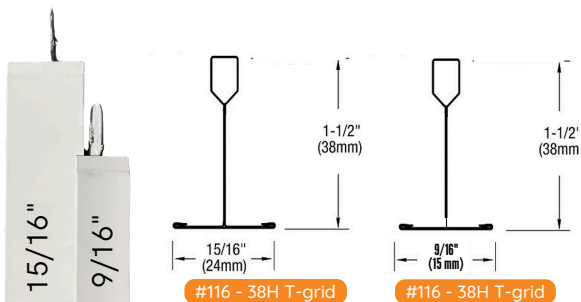


Wall Molding

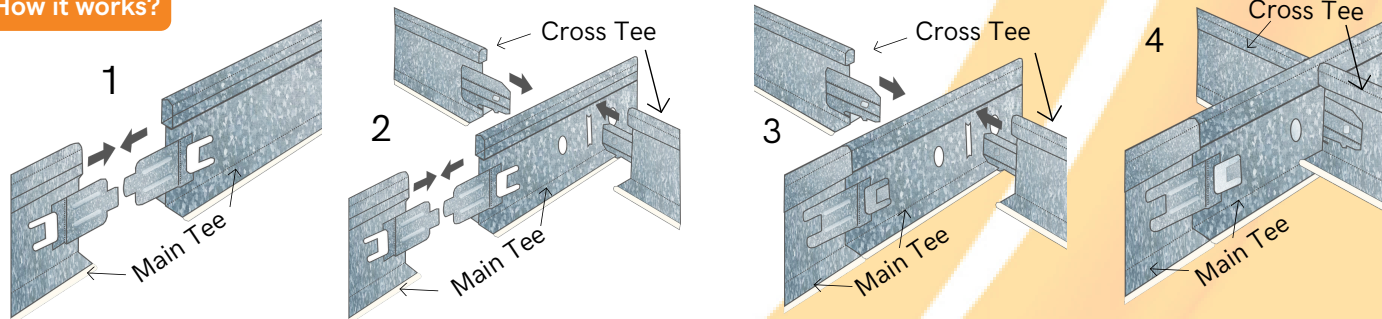


Profile	ITEM	Qty / Box	Height	Weidth	Length	Heavy Duty category (ASTM C635)	Compression / Tension	Baked Polyester paint finish	Expose Tee system	Recycled Content	Color
Main Tee	5110	25	1 1/2"	15/16"	144"	Yes	365 / 7	Yes	Yes	70%	White
Cross Tee	5210	75	1 1/2"	15/16"	24"	Yes	365 / 7	Yes	Yes	70%	White
Cross Tee	5213	75	1 1/2"	15/16"	48"	Yes	365 / 7	Yes	Yes	70%	White
Wall Molding	5410	40	7/8"	7/8"	142"	Yes	N/A	Yes	Yes	70%	White
Main Tee	5112	25	1 1/2"	15/16"	144"	Yes	299 / 5	Yes	Yes	70%	Black
Cross Tee	5212	75	1 1/2"	15/16"	24"	Yes	299 / 5	Yes	Yes	70%	Black
Cross Tee	5215	75	1 1/2"	15/16"	48"	Yes	299 / 5	Yes	Yes	70%	Black
Wall Molding	5412	40	7/8"	7/8"	142"	Yes	N/A	Yes	Yes	70%	Black
Main Tee	5113	25	1 1/2"	9/16"	144"	Yes	299 / 5	Yes	Yes	70%	White
Cross Tee	5216	75	1 1/2"	9/16"	24"	Yes	299 / 5	Yes	Yes	70%	White
Cross Tee	5219	75	1 1/2"	9/16"	48"	Yes	299 / 5	Yes	Yes	70%	White
Wall Molding	5413	40	3/4"	3/4"	142"	Yes	N/A	Yes	Yes	70%	White

Exposed Grid Size



How it works?

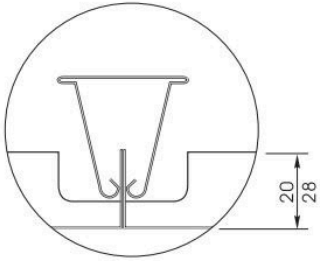
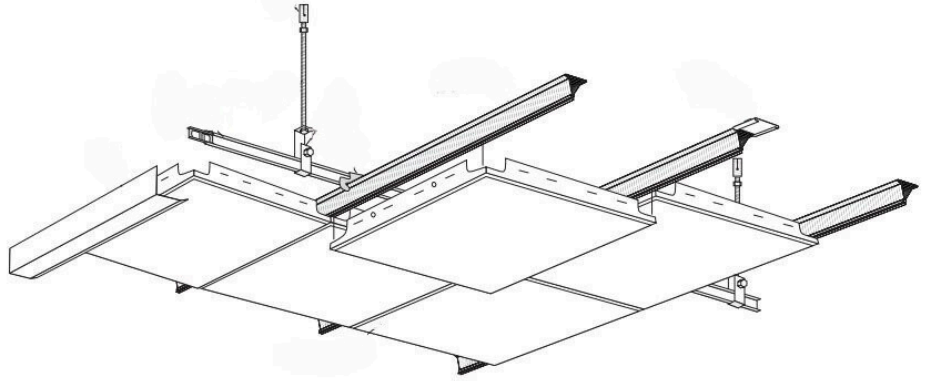
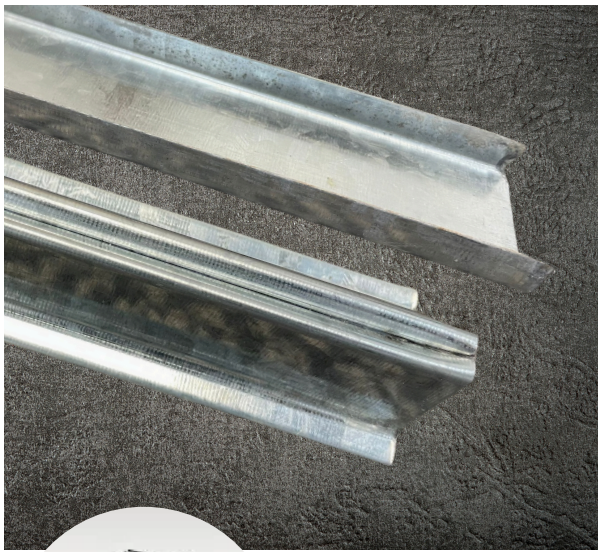


Join the Main Tee overlapping the safety clips

Through the fixing slots join the Cross Tee overlapping the safety clips



2 CLIP - IN



Profile	ITEM	Qty / Box	Thickness	Width	Length	Heavy Duty category (ASTM C635)	Compression / Tension	Galvanised steel	Expose System	Recycled Content
Clip In - BAC 45 - Panel Carrier	5310	20	7/8"	1- 1/2"	120"	Yes	N/A	Yes	No	Yes
Clip-In Hanger	5331	100	--	7/8"	3- 7/8"	Yes	N/A	Yes	No	Yes
38# GA.20 Rolled Channel	5317	20	3/8"	1- 1/2"	144"	Yes	N/A	Yes	No	Yes
Panel Carrier Connector	5326	100	1/4"	1- 1/2"	2- 1/4"	Yes	N/A	Yes	No	Yes

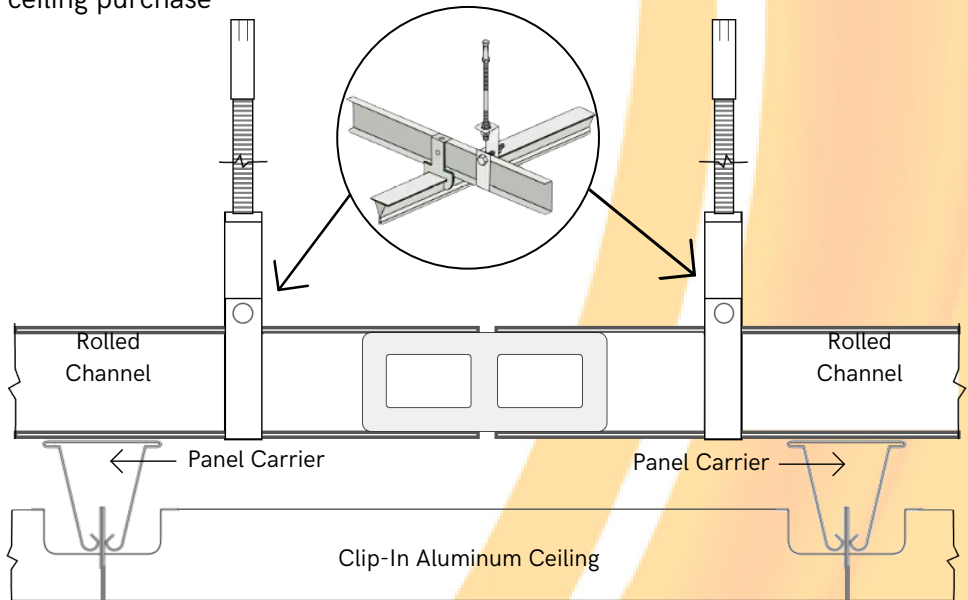
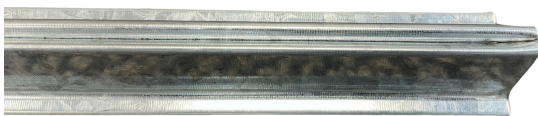
*included in the ceiling purchase

Components

Rolled Channel



Clip-In Panel Carrier

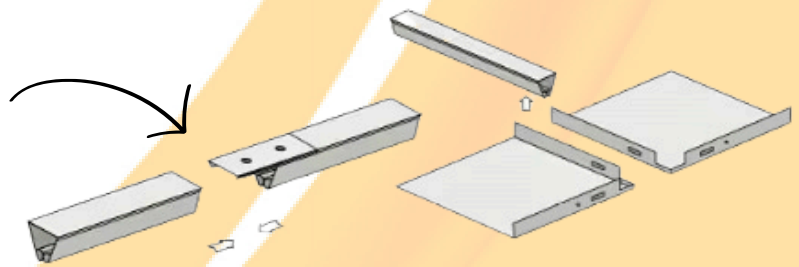


Accessories

Clip-In Hanger

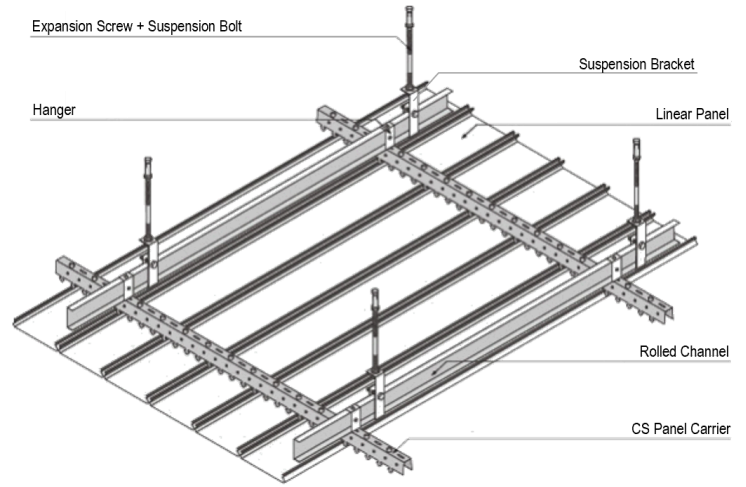


Panel Carrier Connector



3

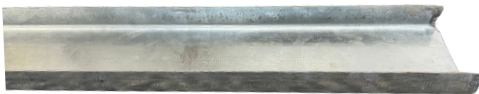
LINEAR PANELS



All linear panel systems use the same rolled channel and fastening elements. They only differ in the type of main carrier, which is the profile that carries the decorative panel.

Components

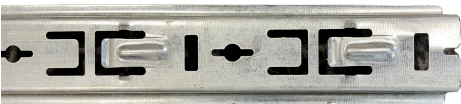
Rolled Channel



C-Shape Panel Carrier



G-Shape Panel Carrier

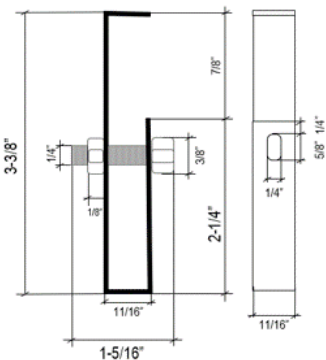


C-85 / V-85 Panel Carrier

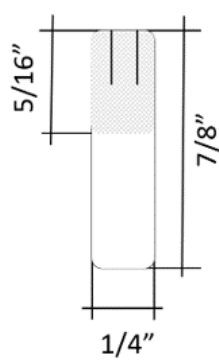


Profile	ITEM	Qty / Box	Thickness	Width	Length	Heavy Duty category (ASTM C635)	Compression / Tension	Galvanised steel	Expose System	Recycled Content
Linear C-Shape - BAC 48 - Panel Carrier	5313	20	7/8"	1-1/2"	120"	Yes	N/A	Yes	No	Yes
Linear G-Shape - BAC 50 - Panel Carrier	5314	20	7/8"	1-1/2"	120"	Yes	N/A	Yes	No	Yes
Linear C85 Panel Carrier	5315	20	7/8"	1-1/2"	120"	Yes	N/A	Yes	No	Yes
Linear V85 Panel Carrier	5316	20	7/8"	1-1/2"	120"	Yes	N/A	Yes	No	Yes
38# GA.20 Rolled Channel	5317	20	3/8"	1-1/2"	144"	Yes	N/A	Yes	No	Yes
Accessories										
Expansion Screw	5320	100	--	3/8"	--	Yes	N/A	Yes	No	Yes
Suspension Bolt	5321	100	--	3/8"	1-5/16"	Yes	N/A	Yes	No	Yes
T-Grid Hanger	5322	100	--	7/8"	3-7/8"	Yes	N/A	Yes	No	Yes
C-Shape Hanger	5332	100	--	7/8"	3-7/8"	Yes	N/A	Yes	No	Yes
G-Shape Hanger	5333	100	--	7/8"	3-7/8"	Yes	N/A	Yes	No	Yes
C-58/V-85 Hanger	5334	100	--	7/8"	3-7/8"	Yes	N/A	Yes	No	Yes
38# Main Carrier Suspension Bracket	5323	50	--	7/8"	3-7/8"	Yes	N/A	Yes	No	Yes
Main Carrier Connector	5326	20	--	1-7/16"	4-1/8"	Yes	N/A	Yes	No	Yes
Anchor	5329	20	--	3/8"	7/8"	Yes	N/A	Yes	No	Yes
Linear Panel coupling unit	5330	100	3/8"	3-3/4"	4"	Yes	N/A	Yes	No	Yes

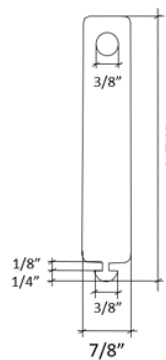
*included in the ceiling purchase



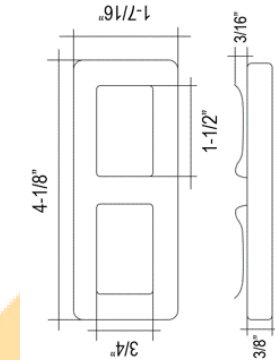
Suspension Bracket



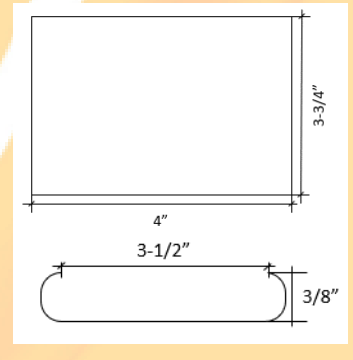
Anchor



Hanger



Main Carrier Connector



Linear Panel Coupling Unit

